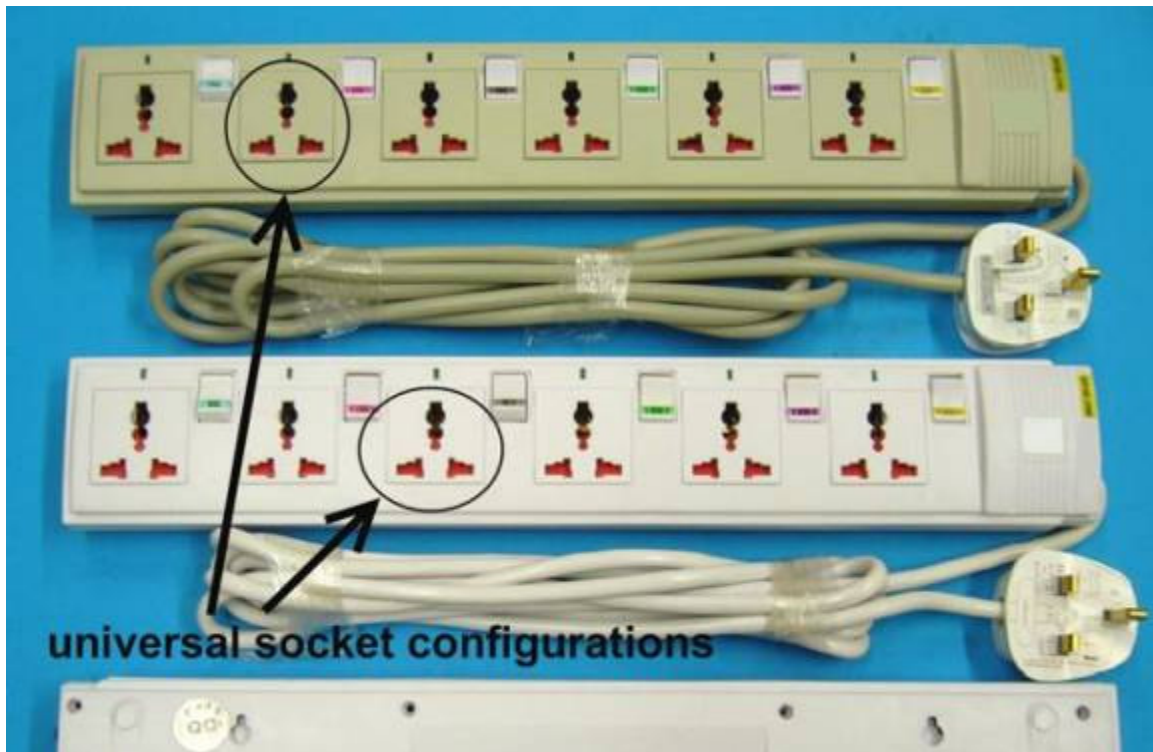


Safety Alert: Risks of using Universal Portable Socket Outlet

SPRING Singapore, the Safety Authority, administers the Consumer Protection (Safety Requirements) Registration Scheme (CPS Scheme). Under the scheme, Controlled Goods must be certified safe and registered with SPRING Singapore before they can be sold in Singapore.

The Portable Socket Outlet (PSO) is one of the 45 categories of Controlled Goods under the CPS Scheme. The Universal Portable Socket Outlet (UPS0), as shown below, falls under the PSO category. However, it is **NOT approved for use in Singapore**.



Examples of Universal Portable Socket Outlets (UPS0)

SPRING advises consumers **not to buy or use** the UPS0 as it carries the following safety risks:

- **Fire Hazard**

The UPS0 has a high tendency to overheat -the temperatures of the Live and Neutral contacts are found to exceed safety limits when loaded to the rated current of the mains plug. The undersized copper wires in the power cord are likely to overheat, when connected to high power products such as vacuum cleaner and electric steamboat. The plastic casing of the UPS0 failed the Glow Wire Test and increases the risk of fire .

- **Electric Shock Hazard**

The safety shutter mechanism does not effectively cover the contacts on the UPSO- the shutter could be lifted by insertion of an object into one of the live or neutral contact, this would likely result in an electric shock as shown below.



Exposed metal 'live' parts

Overseas Use

You may notice that UPSOs are often used overseas in meeting venues or hotels. Please take extra care when using them. They are meant for low powered products such as laptop and charger of hand phone. They are not for use with high power products.

Local Use

In Singapore, consumers are advised to purchase only Portable Socket Outlets that are affixed with the SAFETY Mark, as shown below.



1 2 3 4 5 6 - 0 0
For portable socket outlet

For more information, please contact SPRING Singapore at 1800-7733163 or email to safety@spring.gov.sg.